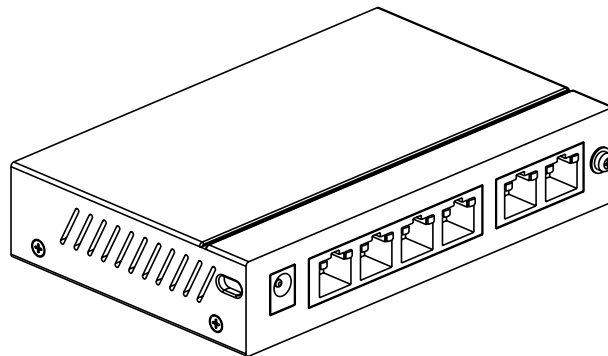


## Switch PoE 10/100 MBits Switch PoE Gigabit



### 1. USE

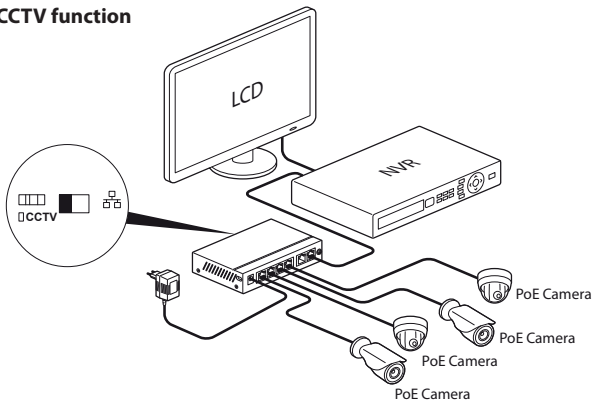
PoE switches Ethernet switches with PoE and PoE + EndSpan injector (802.3 af and 802.3 at standard). Provides power to 4 Ethernet ports of equipment (Wi-Fi access point, IP camera, ...). Management of the CCTV. Supplied with power supply and DIN rail fixture. Easy-to-install structure thanks fastening accessories.

### 2. RANGE

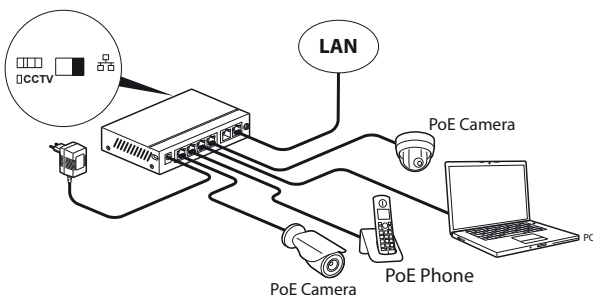
Item	Downlink / Uplink ports	Cat. Nos
Switch PoE 10/100 Mbits	1-6 ports 10/100 MBits	0 335 03
Switch PoE Gigabit	1-6 Ports 10/100/1000 MBits	0 335 08

### 3. APPLICATION

#### CCTV function

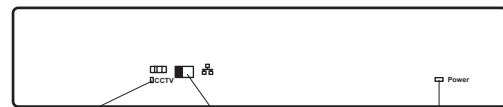


#### PoE injector/switch function



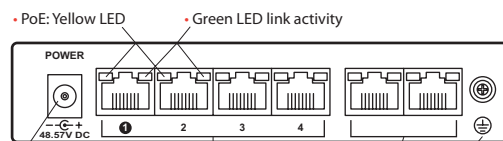
### 4. PRESENTATION

#### Front board



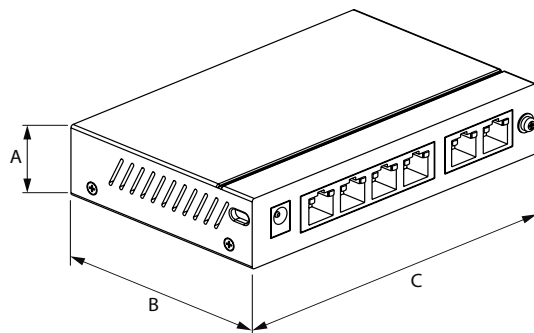
- CCTV Green LED
- Switch CCTV Eth
- Power: Red LED

#### Back board



- PoE: Yellow LED
- Green LED link activity
- Power input port
- Downlink ports
- Uplink ports
- Grounding terminal

### 5. OVERALL DIMENSIONS (mm)



Cat. Nos	A	B	C
0 335 03/08	27	85,6	135

### 6. PRECAUTIONS AND MAINTENANCE

- Device must be connected with lightning protection grounding; otherwise protection level will be greatly reduced; please use above No.20 wire to connect the grounding terminal;
- The device requires rebooting after the Mode Switch has been utilized.
- The transmission distance depends on the signal source and cable quality; standard Cat5e/6 Ethernet cable is strongly suggested for reaching the maximum transmission distance

## Switch PoE 10/100 MBits Switch PoE Gigabit

### 7. TECHNICAL SPECIFICATIONS

item		Switch PoE 10/100 MBits	Switch PoE Gigabit
		Cat. Nos : 0 335 03	Cat. Nos : 0 335 08
Power Supply	Power Supply	Power Adaptor	
	Voltage Range	DC 48 V – 57 V	DC 48 V – 54 V
	Power Consumption	< 5W	
	Distance 54V/ Power	100m /26W, 150m/24W, 200M/23W, 250M/21W	
Connector Parameters	Ports Ethernet	1 – 4 Downlink Ports: 10/100 Mbps Ethernet Ports; 5 – 6 Uplink Ports: 10/100 Mbps Ethernet Ports.	1 – 4 Downlink Ports: 10/100/1000 Mbps Ethernet Ports; 5 – 6 Uplink Ports: 10/100/1000 Mbps Ethernet Ports.
	Transmission Distance	1-4 port : default : 0 ~ 10m CCTV : 0 ~ 250m UPLINK : 100m	
	PoE Power Supply	Each Port ≤ 30W, Total < 60W	
Network Switching	PoE Standard	IEEE802.3 af, IEEE802.3 at, End-span	
	Exchange capacity	1.0 Gbps	12G
	Network Standard	IEEE 802.3, IEEE 802.3u	IEEE 802.3, IEEE 802.3u, IEEE 802.3ab
	Packet Forwarding Rate	0.74 Mpps	8.93 Mpps
	Packet Buffer	768 K	1Mb
	MAC Table	2K	8K
	Cable RJ45 Making Method	EIA/TIA 568A - EIA/TIA 568B	
One-key CCTV Mode	Mode Function	a. All Downlink Ports Can Only Communicate with Uplink Ports, Can't communicate each other; b. Restrain Network Storm under 2m	
Statut Indicator	Power Light	1 x Red Light	
	One-key CCTV	1 x Green Light, Solid on after CCTV Mode on	
	Downlink Ports	Link : Green LED (on RJ45) PoE : Yellow LED, (on RJ45)	
	Uplink ports	Link : Green LED (on RJ45) Acting : Yellow LED, (on RJ45)	
Protection Level	EMC Standard	EN 550 22; EN 550 24; EN 60 950	
	ESD	1a Contact Discharge Level3 1b Air Discharge Level 3 Standard : IEC61000 -4 -2	
	Lightning protection (anti-thunder level)	6KV Standard : IEC61000 -4 -5	
Operation Environment	Working Temperature	-10 °C /+45 °C	-10 °C/ +55 °C
	Storage temperature	-40 °C/ +85 °C	
	Humidity (Non-condensing)	0 - 95 %	

### 8. MECHANICAL SPECIFICATIONS

Item	Cat. Nos : 0 335 03	Cat. Nos : 0 335 08
Out shell	Metal	Metal
Color	Black	Black
Weight	343g	315g