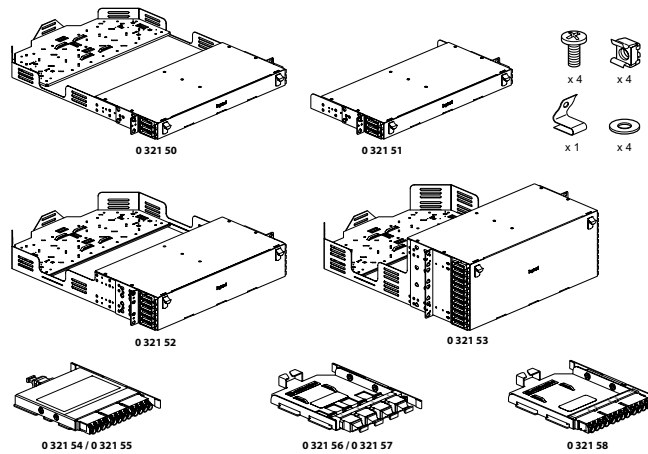


## Very high density modular fibre optic drawers, to be equipped with connectors

Cat. No(s): 0 321 50/51/52/53/54/55/56/57/58



### 1. USE

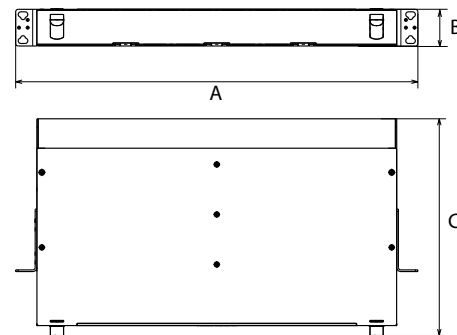
Very high density modular fibre optic drawers, to be equipped with connectors. Fixed modular chassis for holding very high density cassettes.

#### Fibre optic drawers with cord management at front

0 321 51	1U maximum capacity (holds up to 12 cassettes): 144 LC connectors
----------	--

#### Fibre optic drawers with cord management at front and back

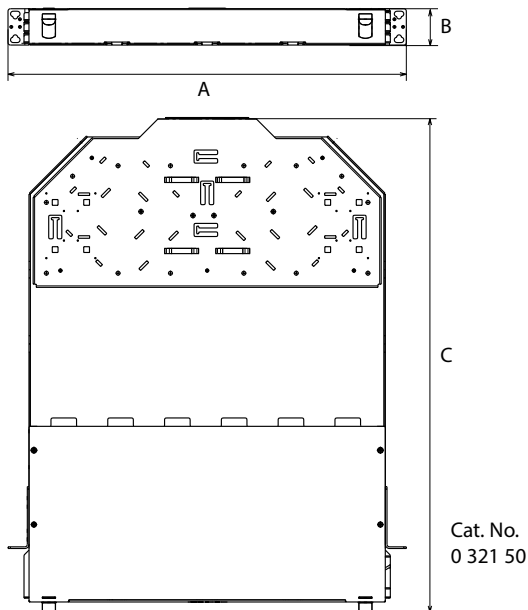
0 321 50	1U maximum capacity (holds up to 12 cassettes): 144 LC connectors
0 321 52	2U maximum capacity (holds up to 24 cassettes): 288 LC connectors
0 321 53	4U maximum capacity (holds up to 48 cassettes): 576 LC connectors



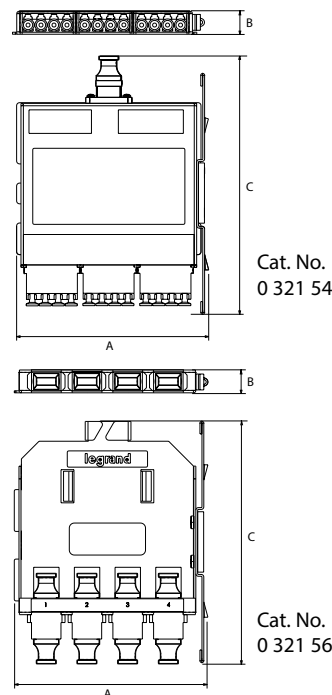
Cat. No.  
0 321 51

Cat. Nos.	A	B	C
0 321 50	483	44	598
0 321 51	483	44	260
0 321 52	483	88	597
0 321 53	483	176	599

### 2. DRAWER DIMENSIONS (mm)



### 3. CASSETTE AND ADAPTOR DIMENSIONS (mm)



Cat. Nos.	A	B	C
Cassettes			
0 321 54	96	12	129
0 321 55	96	12	129
Adaptors			
0 321 56	97	11	121
0 321 57	97	11	121
0 321 58	97	12	121

**4. VERY HIGH DENSITY CASSETTES FOR FIBRE OPTIC DRAWER**

Clip directly into fibre optic drawers Cat. Nos. 0 321 50/51/52/53.

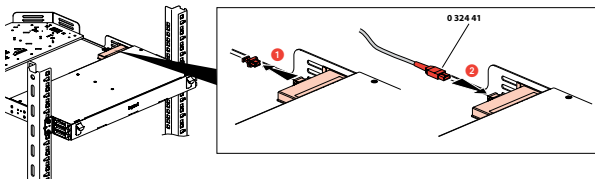
0 321 54	OM4 multimode cassettes for 50/125 µm multimode installation, OM4 type MTP cassette (compatible with MPO) 12 OM4 LC strands, A/C type
0 321 55	OS2 cassettes for 9/125 µm singlemode installation, OS2 type MTP cassette (compatible with MPO) 12 OS2 LC strands, A/C type

**5. ADAPTORS FOR FIBRE OPTIC DRAWER**

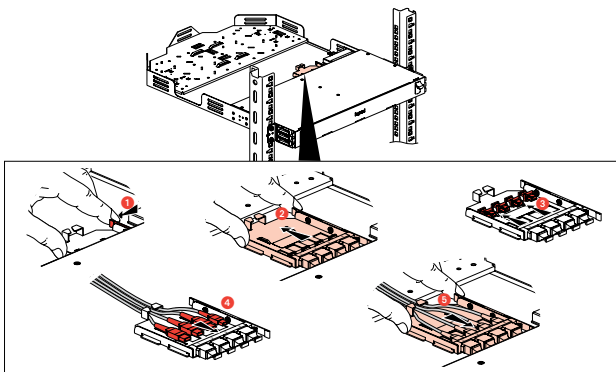
Clip directly into fibre optic drawers Cat. Nos. 0 321 50/51/52/53.

0 321 56	4 MTP multimode adaptor (compatible with MPO)
0 321 57	4 MTP singlemode adaptor (compatible with MPO)
0 321 58	12 LC multimode adaptor

**6. CONNECTING CASSETTES**



**7. CONNECTING FEEDTHROUGHS**



**8. TECHNICAL CHARACTERISTICS**

**8.1 Weight:**

Panels		
0 321 50	UHD drawer to be equipped with connectors, 1U cassette	11.88 kg
0 321 51	UHD drawer to be equipped with connectors, without rear cord management	7.71 kg
0 321 52	UHD drawer to be equipped with connectors, 2U cassette	12.42 kg
0 321 53	UHD drawer to be equipped with connectors, 4U cassette	21.45 kg
Cassettes		
0 321 54	12 OM4 LC MPO cassette with UHD panel	80 g
0 321 55	12 OS2 LC MPO cassette with UHD panel	
Adaptors		
0 321 56	4 MPO multimode adaptor	70 g
0 321 57	4 MPO singlemode adaptor	
0 321 58	12 LC multimode adaptor	

**8.2 Fibre optic drawer characteristics:**

They can take very high density cassettes, MTP and LC adaptors.  
Maximum capacity: 576 SC connectors  
Material: sheet steel  
Colour: black

**8.3 Cassette characteristics:**

Clip directly into the fibre optic drawers; cassettes slide in and out of a chassis.  
Cassettes can be fitted and removed from the front and rear.  
MTP high-performance cassettes  
Low insertion loss < 0.35 dB  
A/C polarity

**8.4 Adaptor characteristics:**

Clip directly into the fibre optic drawers

**8.5 Standards and approvals:**

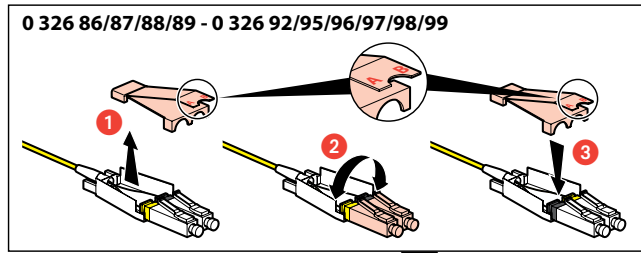
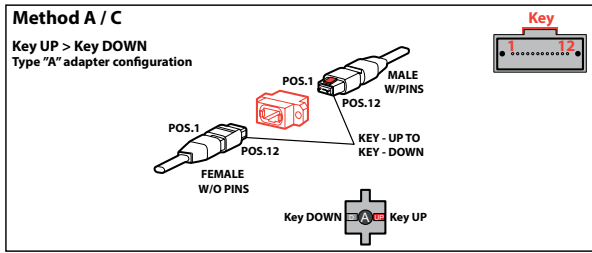
ANSI/TIA-568-C.3: Optical Fiber Cabling Components Standard  
TIA-604-10: Fiber Optic Intermateability Standard, LC  
ISO/IEC 11801-5  
RoHS

**8.6 Climate characteristics**

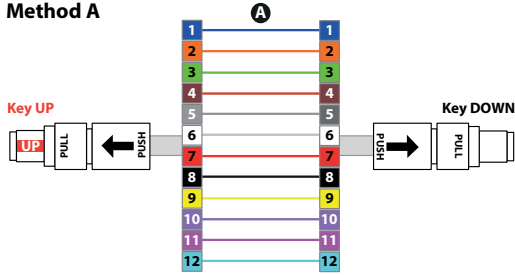
Storage and operating temperature: -10°C to +60°C

**9. POLARITY**

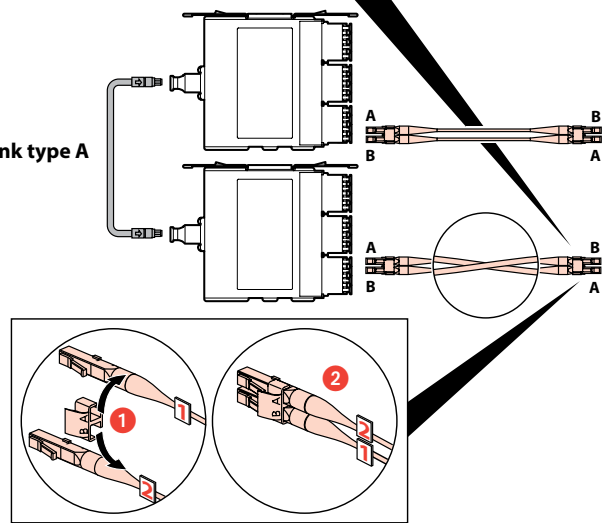
For methods A and C, the cassettes used are all identical.



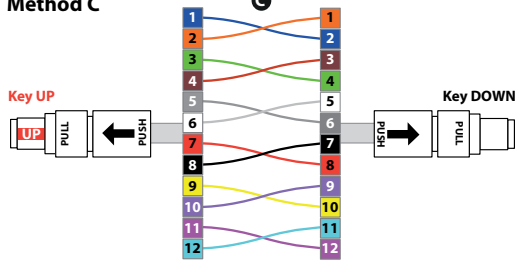
**Method A**



→ **Trunk type A**



**Method C**



→ **Trunk type C**

